

Interchange Unit Type 5000 (G305)

Interchange Unit Type 5000 (G305)

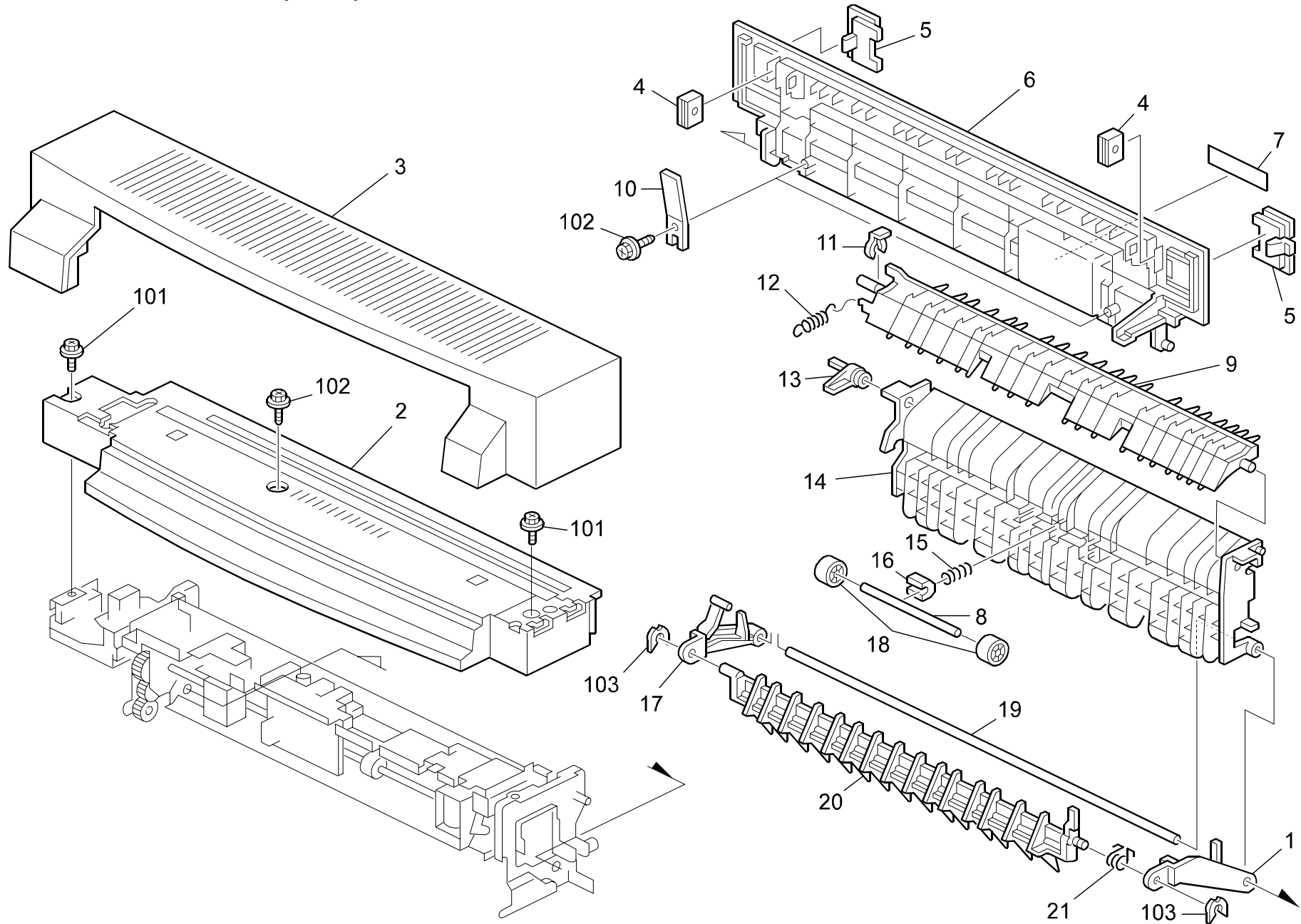
PARTS CATALOG

This catalog gives the numbers and names of parts on this machine.

1.INTERCHANGE UNIT 1 (G305).....	2
2.INTERCHANGE UNIT 2 (G305).....	4
PARTS INDEX	7

September ,03 ' 2002

1.INTERCHANGE UNIT 1 (G305)

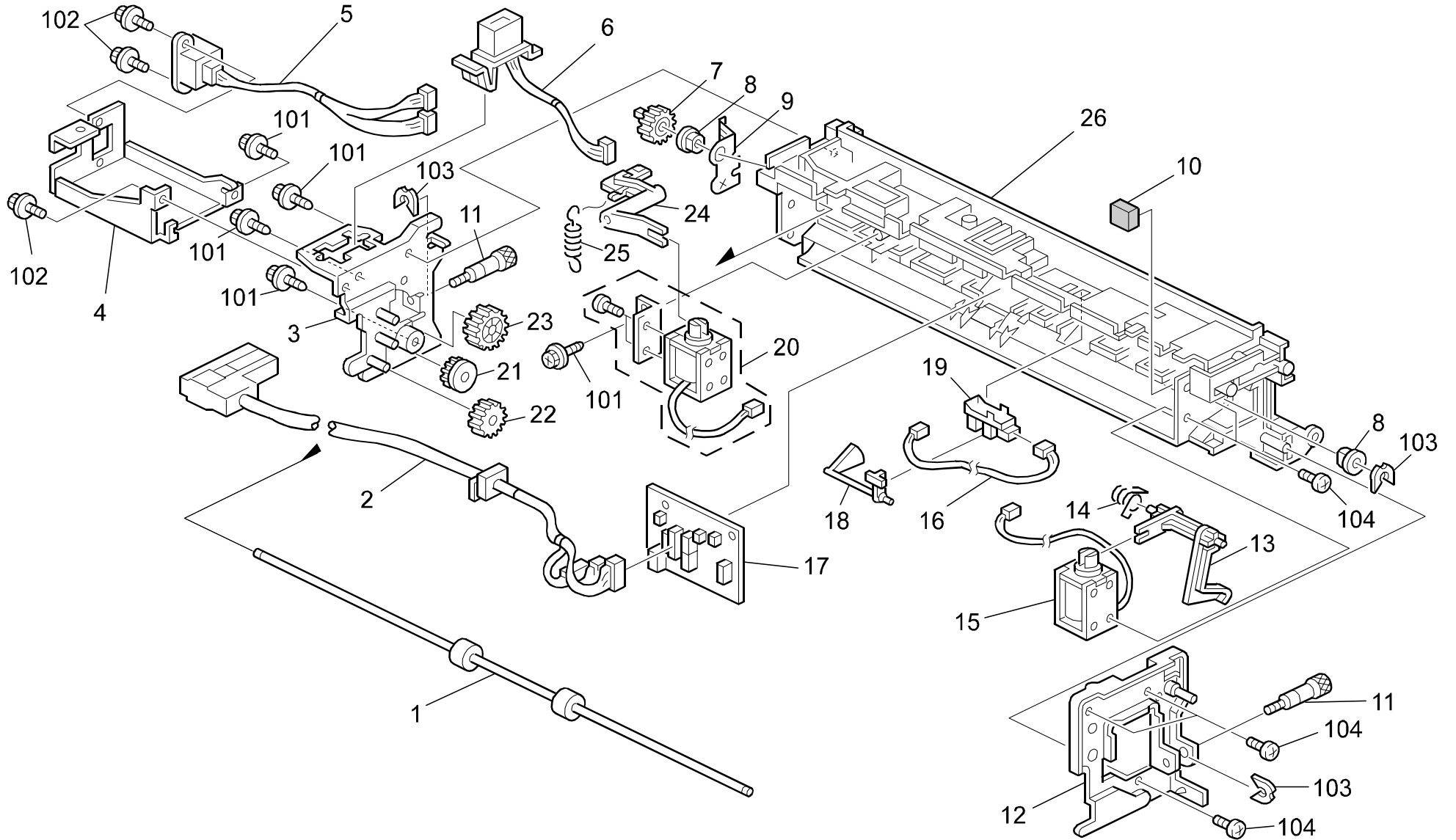


1.INTERCHANGE UNIT 1 (G305)

Index No.	Part No.	Description	Q'ty Per Assembly
1	B300 4575	Arm Gate Pawl Lower Front	1
2	G305 1252	Small Cover	1
3	G305 1251	Large Cover	1
4	AG07 0014	Magnet Catch	2
5	G305 2553	Cap	2
6	G305 2551	Misfeed Cover	1
7	G305 1255	Decal - Misfeed	1
8	AA14 5818	Tension Roller Shaft	1
9	B300 4568	Gate Pawl Upper	1
10	G305 2552	Spring Plate	1
11	5447 2681	Snap Ring	1
12	AA06 0794	Spring - Link Gate Pawl - Uppe R	1
13	B300 4569	Lever Gate Pawl Upper	1
14	B300 4563	Guide Plate	1
15	5205 4527	Spring - Exit	1
16	AA08 0156	Bushing - M4	1
17	B300 4572	Arm Gate Pawl Lower Rear	1
18	B300 4566	Roller Tension	2
19	B300 4574	Shaft Guide Plate	1
20	G305 2556	Lower Gate Pawl	1
21	AA06 6314	Gate Pawl Lower Spring	1

Index No.	Part No.	Description	Q'ty Per Assembly
101	0451 3006B	Tapping Screw - M3x6	
102	0450 3008B	Tapping Screw - M3x8	
103	0805 0089	Retaining Ring - M4	

2.INTERCHANGE UNIT 2 (G305)



2.INTERCHANGE UNIT 2 (G305)

Index No.	Part No.	Description	Q'ty Per Assembly
1	AF02 0544	Transport Roller	1
2	G305 5338	Gate Unit Harness	1
3	G305 1052	Rear Side Plate	1
4	G305 5051	Connector Bracket	1
5	G305 5333	Duplex Harness	1
6	G305 5340	4Bin Gate Harness	1
7	AB01 1405	Gear - Transport Roller	1
8	AA08 2101	Bushing - 6x10x6	2
9	G305 1064	Grouding Plate	1
10	AA16 1143	Cushion - Link	1
11	AA14 3506	Knob Screw	2
12	G305 1050	Front Side Plate	1
13	B300 4512	Link Gate Pawl Lower	1
14	AA06 6330	Spring- Lowergate Pawl	1
15	G305 4464	DC Solenoid	1
16	G305 5339	Gate Sensor Harness	1
17	G305 5153	Interchange Control Board	1
18	B300 4516	Feeler Photointerruptor	1
19	AW02 0120	Photointerruptor - Flat	1
20	G305 4462	DC Solenoid	1
21	AB01 1227	Idler Gear - 21Z	1
22	AB01 1228	Idler Gear - 23Z	1
23	AB01 1226	Idler Grar - 37Z	1
24	B300 4508	Line Gate Pawl Upper	1
25	AA06 0794	Spring - Link Gate Pawl - Uppe R	1
26	B300 4501	Frame Gate	1

Index No.	Part No.	Description	Q'ty Per Assembly
101	0450 3008B	Tapping Screw - M3x8	
102	0451 3006B	Tapping Screw - M3x6	
103	0805 0089	Retaining Ring - M4	
104	0353 0040B	Screw - M3X4	

Parts Index

Parts Index

Part No.	Description	Page and Index No.
G305 1050	Front Side Plate	5- 12
G305 1052	Rear Side Plate	5- 3
G305 1064	Grouding Plate	5- 9
G305 1251	Large Cover	3- 3
G305 1252	Small Cover	3- 2
G305 1255	Decal - Misfeed	3- 7
G305 2551	Misfeed Cover	3- 6
G305 2552	Spring Plate	3- 10
G305 2553	Cap	3- 5
G305 2556	Lower Gate Pawl	3- 20
G305 4462	DC Solenoid	5- 20
G305 4464	DC Solenoid	5- 15
G305 5051	Connector Bracket	5- 4
G305 5153	Interchange Control Board	5- 17
G305 5333	Duplex Harness	5- 5
G305 5338	Gate Unit Harness	5- 2
G305 5339	Gate Sensor Harness	5- 16
G305 5340	4Bin Gate Harness	5- 6

Part No.	Description	Page and Index No.
B300 4501	Frame Gate	5- 26
B300 4508	Line Gate Pawl Upper	5- 24
B300 4512	Link Gate Pawl Lower	5- 13
B300 4516	Feeler Photointerruptor	5- 18
B300 4563	Guide Plate	3- 14
B300 4566	Roller Tension	3- 18
B300 4568	Gate Pawl Upper	3- 9
B300 4569	Lever Gate Pawl Upper	3- 13
B300 4572	Arm Gate Pawl Lower Rear	3- 17
B300 4574	Shaft Guide Plate	3- 19
B300 4575	Arm Gate Pawl Lower Front	3- 1

Part No.	Description	Page and Index No.
AA06 0794	Spring - Link Gate Pawl - Uppe R	5- 25
AA06 0794	Spring - Link Gate Pawl - Uppe R	3- 12
AA06 6314	Gate Pawl Lower Spring	3- 21
AA06 6330	Spring- Lowergate Pawl	5- 14
AA08 0156	Bushing - M4	3- 16
AA08 2101	Bushing - 6x10x6	5- 8
AA14 3506	Knob Screw	5- 11
AA14 5818	Tension Roller Shaft	3- 8
AA16 1143	Cushion - Link	5- 10
AB01 1226	Idler Grar - 37Z	5- 23
AB01 1227	Idler Gear - 21Z	5- 21
AB01 1228	Idler Gear - 23Z	5- 22
AB01 1405	Gear - Transport Roller	5- 7
AF02 0544	Transport Roller	5- 1
AG07 0014	Magnet Catch	3- 4
AW02 0120	Photointerruptor - Flat	5- 19

Part No.	Description	Page and Index No.
0353 0040B	Screw - M3X4	5-104
0450 3008B	Tapping Screw - M3x8	3-102
0450 3008B	Tapping Screw - M3x8	5-101
0451 3006B	Tapping Screw - M3x6	3-101
0451 3006B	Tapping Screw - M3x6	5-102
0805 0089	Retaining Ring - M4	3-103
0805 0089	Retaining Ring - M4	5-103

Part No.	Description	Page and Index No.
5205 4527	Spring - Exit	3- 15
5447 2681	Snap Ring	3- 11

Part No.	Description	Page and Index No.